









Chisels



Shape	Application	For SDSPLUS hammers	For SDSMAX hammers	17mm Hex	19mm Hex	21mm Hex	28.6mm Hex	30mm Hex	Makita Small
 <p>Bull point</p>	Demolition and adjustment work in masonry and concrete. Chipping and breaking in masonry and concrete. Starts holes in concrete	●	●	●	●	●	●	●	●
 <p>Cold chisel</p>	Adjustment work in masonry and concrete. Chipping, breaking, edging and channeling in masonry and concrete.	●	●	●	●	●	●	●	
 <p>Grooving chisel</p>	Cutting channels in concrete.	●		●		●			●
 <p>Scaling chisel</p>	Removing concrete residues.	●	●	●	●	●	●	●	●
 <p>Clay spade</p>	Digging in clay, hard gravel, hard packed gravel, soil and dirt.		●	●	●	●	●	●	
 <p>Rammer</p>	Tamping asphalt and compacting gravel, soil and dirt.		●	●	●	●	●	●	
 <p>Bushing tool</p>	Roughing concrete and asphalt up.		●	●		●			
 <p>Scraper</p>	Scraping floor tiles, linoleum floor and clean-up.	●							●

Bull point for SDS-PLUS hammers



Length mm	Sales Pkg Qty	Part No.
140	1	D-19152
160	1	D-08034
230	1	D-71249
250	1	B-14037
250	1	B-64294
250	1	D-08713
250	1	D-62424
400	1	D-19015

Cold chisel for SDS-PLUS hammers/ Premium



Size mm	Sales Pkg Qty	Part No.
20x250	1	B-64244

Cold chisel for SDS-PLUS hammers/ Self-sharpening



Size mm	Sales Pkg Qty	Part No.
20x250	1	B-64777

Bull point for SDS-PLUS hammers/ Premium



Length mm	Sales Pkg Qty	Part No.
250	1	B-64238

Scaling chisel for SDS-PLUS hammers



Size mm	Sales Pkg Qty	Part No.
40x250	1	D-08735
40x230	1	D-71277
40x250	1	B-64319
50x215	1	D-25616
50x215	1	D-62446
80x150	1	D-61042
80x250	1	D-61020

Bull point for SDS-PLUS hammers/ Spin action self-sharpening



Length mm	Sales Pkg Qty	Part No.
250	1	B-64761

Scaling chisel for SDS-PLUS hammers/ Premium



Size mm	Sales Pkg Qty	Part No.
40x250	1	B-64250

Cold chisel for SDS-PLUS hammers



Size mm	Sales Pkg Qty	Part No.
20x140	1	D-19168
20x160	1	D-71255
20x230	1	D-71261
20x250	1	B-14043
20x250	1	B-64303
20x250	1	D-08729
20x250	1	D-62430
20x400	1	D-19021

Scaling chisel for SDS-PLUS hammers/ Self-sharpening



Size mm	Sales Pkg Qty	Part No.
40x250	1	B-14059
60x250	1	B-14065

Scaling chisel for SDS-PLUS hammers/ Tile




Size mm	Sales Pkg Qty	Part No.
40x260	1	B-14071

Grooving chisel for SDS-PLUS hammers




Size mm	Sales Pkg Qty	Part No.
8x170	1	A-30075

Scraper Assembly for SDS-PLUS hammers




Size mm	Sales Pkg Qty	Part No.
100x160	1	A-68161

Bull point for SDS-MAX hammers





Length mm	Sales Pkg Qty	Part No.
280	1	A-80787
280	1	B-13823
300	1	D-34176
400	1	A-80793
400	1	B-13839
400	1	B-64325
400	1	D-34182
400	10	D-34182-10
600	1	B-13845
600	1	D-34198

Bull point for SDS-MAX hammers/ Premium

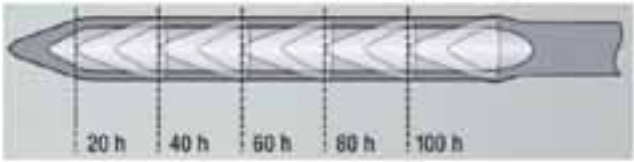




Length mm	Sales Pkg Qty	Part No.
400	1	B-64266

Self sharpening bull point



Feature
Unique star-shape design keeps always sharp

Benefit
No re-sharpening necessary
No work interruption due to resharping
No service costs

Bull point for SDS-MAX hammers/ Self-sharpening



Self-sharpening



Length mm	Sales Pkg Qty	Part No.
400	1	B-10366
400	1	B-10621

Bull point for SDS-MAX hammers/ Spin action self-sharpening



Self-sharpening



Length mm	Sales Pkg Qty	Part No.
400	1	B-23064

Cold chisel for SDS-MAX hammers



Size mm	Sales Pkg Qty	Part No.
25x280	1	A-80802
25x280	1	B-13851
25x300	1	D-34207
25x400	1	A-80818
25x400	1	B-13867
25x400	1	B-14009
25x400	1	B-64331
25x400	1	D-34213
25x400	10	D-34213-10
25x600	1	B-13873
25x600	1	D-34229

Cold chisel for SDS-MAX hammers/ Premium



Size mm	Sales Pkg Qty	Part No.
25x400	1	B-64272

Cold chisel for SDS-MAX hammers/ Self-sharpening

Self-sharpening



Size mm	Sales Pkg Qty	Part No.
25x400	1	B-64783

Scaling chisel for SDS-MAX hammers



Size mm	Sales Pkg Qty	Part No.
50x400	1	A-80824
50x400	1	B-13889
50x400	1	B-64288
50x400	1	D-34235
80x300	1	B-13895
80x300	1	D-34241
115x350	1	B-13910

Scaling chisel for SDS-MAX hammers/ Premium



Size mm	Sales Pkg Qty	Part No.
50x380	1	B-64347

Scaling chisel for SDS-MAX hammers/ Self-sharpening

Self-sharpening



Size mm	Sales Pkg Qty	Part No.
50x350	1	B-14015

Scaling chisel for SDS-MAX hammers/ Tile



Size mm	Sales Pkg Qty	Part No.
50x300	1	A-80830
50x350	1	B-14021

Grooving chisel for SDS-MAX hammers



Size mm	Sales Pkg Qty	Part No.
26x300	1	B-13926

Clay spade for SDS-MAX hammers



Size mm	Sales Pkg Qty	Part No.
105x400	1	A-17653
110x400	1	B-13976

Rammer for SDS-MAX hammers

Use with shank (A-19897)



Size mm	Sales Pkg Qty	Part No.
140	1	A-19875

Bushing tool for SDS-MAX hammers

Use with shank (A-19897)



Size mm	Sales Pkg Qty	Part No.
60x60x50	1	A-19881

Shank adapter for SDS-MAX hammers



Length mm	Sales Pkg Qty	Part No.
250	1	A-19897

Bull point for 17mm Hex shank hammers



Length mm	Sales Pkg Qty	Part No.
210	1	D-16374
255	1	D-71283
280	1	A-80450
280	1	D-08682
450	1	A-80547
450	1	D-16863

Bull point for 17mm Hex shank hammers/ Sharper edge



Length mm	Sales Pkg Qty	Part No.
280	1	D-26303
450	1	D-29860

Cold chisel for 17mm Hex shank hammers



Size mm	Sales Pkg Qty	Part No.
17x280	1	A-80569
17x450	1	A-80575
19x210	1	D-26587
19x280	1	D-08707
19x450	1	D-16879
22x255	1	D-71299

Scaling chisel for 17mm Hex shank hammers



Size mm	Sales Pkg Qty	Part No.
40x255	1	D-71308
50x280	1	A-80606
50x280	1	D-20694
50x450	1	D-52548

Grooving chisel for 17mm Hex shank hammers



Size mm	Sales Pkg Qty	Part No.
22x280	1	A-48555
26x280	1	A-48561

Clay spade for 17mm Hex shank hammers



Size mm	Sales Pkg Qty	Part No.
105x400	1	A-25214

Scaling chisel for 19mm Hex shank hammers



Size mm	Sales Pkg Qty	Part No.
50x300	1	D-20096

Rammer for 17mm Hex shank hammers



Size mm	Length mm	Sales Pkg Qty	Part No.
140	265	1	A-21428

Rammer for 19mm Hex shank hammers



Size mm	Length mm	Sales Pkg Qty	Part No.
140	265	1	A-21478

Bushing tool for 17mm Hex shank hammers



Size mm	Length mm	Sales Pkg Qty	Part No.
60x60	270	1	A-21484

Bull point for 21mm Hex shank hammers



Length mm	Sales Pkg Qty	Part No.
320	1	D-16499
450	1	A-80553
450	1	D-23824
600	1	D-30994

Bull point for 19mm Hex shank hammers



Length mm	Sales Pkg Qty	Part No.
300	1	D-20074
450	1	D-19196

Cold chisel for 21mm Hex shank hammers



Size mm	Sales Pkg Qty	Part No.
26x320	1	D-17588
26x450	1	A-80581
26x450	1	D-17594

Cold chisel for 19mm Hex shank hammers



Size mm	Sales Pkg Qty	Part No.
25x300	1	D-20080
25x450	1	D-19205

Scaling chisel for 21mm Hex shank hammers



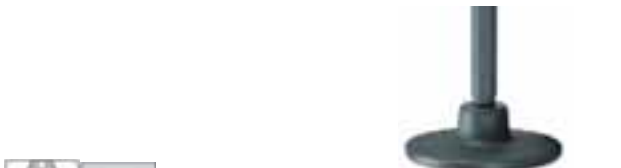
Size mm	Sales Pkg Qty	Part No.
70x320	1	D-20672

Clay spade for 21mm Hex shank hammers



Size mm	Sales Pkg Qty	Part No.
130x460	1	A-47391

Rammer for 21mm Hex shank hammers



Size mm	Length mm	Sales Pkg Qty	Part No.
140	255	1	A-21434

Bushing tool for 21mm Hex shank hammers



Size mm	Length mm	Sales Pkg Qty	Part No.
60x60	280	1	A-21490

Bull point for 28.6mm Hex shank hammers



Length mm	Sales Pkg Qty	Part No.
350	1	D-65034
410	1	798381-1
410	1	D-17631
410	1	D-61531
520	1	D-17675
520	1	D-61569

Bull point for 28.6mm Hex shank hammers/ Self-sharpening



Length mm	Sales Pkg Qty	Part No.
400	1	B-10372

Cold chisel for 28.6mm Hex shank hammers



Size mm	Sales Pkg Qty	Part No.
28x410	1	798383-7
28x410	1	D-17647
28x410	1	D-61547
28x520	1	D-17681
28x520	1	D-61575

Scaling chisel for 28.6mm Hex shank hammers



Size mm	Sales Pkg Qty	Part No.
75x410	1	D-29228
75x410	1	D-61553
75x520	1	D-20725
75x520	1	D-61581

Clay spade for 28.6mm Hex shank hammers



Size mm	Sales Pkg Qty	Part No.
140x546	1	A-44644

Rammer for 28.6mm Hex shank hammers



Size mm	Length mm	Sales Pkg Qty	Part No.
200	335	1	798385-3

Clay spade for 30mm Hex shank hammers



Size mm	Sales Pkg Qty	Part No.
120x500	1	B-10300

Bull point for 30mm Hex shank hammers



Length mm	Sales Pkg Qty	Part No.
400	1	D-15285
410	1	A-80466

Rammer for 30mm Hex shank hammers



Size mm	Length mm	Sales Pkg Qty	Part No.
200	255	1	A-31485

Bull point for 30mm Hex shank hammers/ Self-sharpening

Self-sharpening



Length mm	Sales Pkg Qty	Part No.
400	1	B-10388

Bull point for Makita small shank



Length mm	Sales Pkg Qty	Part No.
220	1	B-06921

Cold chisel for 30mm Hex shank hammers



Size mm	Sales Pkg Qty	Part No.
30x400	1	D-15300
36x410	1	A-80597

Scaling chisel for Makita small shank

Wide chisel for chipping away scale of dried concrete spatter



Size mm	Sales Pkg Qty	Part No.
20x220	1	B-07004
30x150	1	B-07331
50x150	1	B-07347
50x220	1	B-07010

Scaling chisel for 30mm Hex shank hammers



Size mm	Sales Pkg Qty	Part No.
75x310	1	D-23868
75x310	1	D-34805

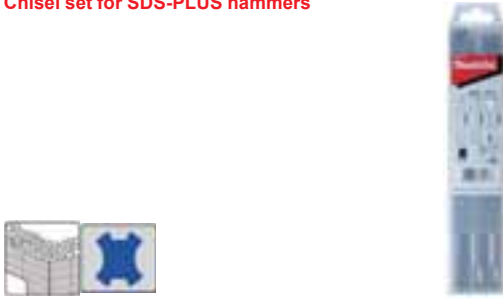
Grooving chisel for Makita small shank



Size mm	Sales Pkg Qty	Part No.
8x170	1	A-21543
12x170	1	A-21559
20x170	1	A-21565

Scraper Assembly for Makita small shank

Size mm	Sales Pkg Qty	Part No.
100x160	1	A-68155

Chisel set for SDS-PLUS hammers

Size mm	Sales Pkg Qty	Part No.
Bull 230, Cold 20x230, Scaling 40x230	3	D-71314
Bull 250, Cold 20x250, Scaling 40x250	3	D-30134
Bull 250, Cold 20x250, Scaling 40x250	5	B-30536

Chisel set for SDS-PLUS hammers/ Aluminum case

Size mm	Sales Pkg Qty	Part No.
Bull 250, Cold 20x250, Scaling 40x250	3	D-05181
Bull 250, Cold 20x250	4	D-08757
Bull 250, Cold 20x250, Scaling 40x250	5	D-16368

Chisel set for SDS-PLUS hammers/ Aluminum case in Makita blue

Size mm	Sales Pkg Qty	Part No.
Bull 250, Cold 20x250, Scaling 40x250	3	D-42357
Bull 250, Cold 20x250	4	D-42363
Bull 250, Cold 20x250, Scaling 40x250	5	D-42379

Chisel set for SDS-PLUS hammers/ Premium

Size mm	Sales Pkg Qty	Part No.
Bull 250, Cold 20x250, Scaling 40x250	3	E-04911

Chisel set for SDS-MAX hammers

Size mm	Sales Pkg Qty	Part No.
Bull 400, Cold 25x400, Scaling 50x350	5	B-30520
Bull 400, Cold 25x400	10	D-35324-10

Chisel set for SDS-MAX hammers/ Aluminum case

Size mm	Sales Pkg Qty	Part No.
Bull 400, Cold 25x400, Scaling 50x400	3	D-40543
Bull 300, 400, Cold 25x300, 25x400	4	D-40559
Bull 400, Cold 25x400	5	D-40618
Bull 400, Cold 25x400, Scaling 50x400, 80x300	6	D-40565

Chisel set for SDS-MAX hammers/ Aluminum case in Makita blue

Size mm	Sales Pkg Qty	Part No.
Bull 400, Cold 25x400, Scaling 50x400	3	D-42450
Bull 300, 400, Cold 25x400, 25x300	4	D-42466
Bull 400, Cold 25x400	5	D-42472
Bull 400, Cold 25x400, Scaling 50x400, 80x300	6	D-42488

Chisel set for SDS-MAX hammers/ Premium



Size mm	Sales Pkg Qty	Part No.
Bull 400, Cold 25x400, Scailing 50x380	5	E-04927

Chisel set for 17mm Hex shank hammers



Size mm	Sales Pkg Qty	Part No.
Bull 255, Cold 22x255, Scailing 40x255	3	D-71320

T.C.T drill bit & chisel set for SDS-PLUS hammers



Size mm	Sales Pkg Qty	Part No.
Drill 5 to 8, Bull 250, Cold 20x250, Scailing 40x250	6	D-58920
Drill 5 to 16, Bull 160, Cold 20x140	10	D-46361
Drill 5 to 16, Bull 160, Cold 20x140	10	D-57059
Drill 5.5 to 15, Bull 160, Cold 20x140	10	D-44971
Drill 6 to 18, Bull 160, Cold 20x140	10	D-41470

T.C.T drill bit & chisel set for SDS-PLUS hammers/ Roll up pouch



Size mm	Sales Pkg Qty	Part No.
Drill 5 to 16, Bull 250, Cold 20x250	13	D-53659
Drill 5.5 to 16, Bull 250, Cold 20x250	13	D-70895
5x110 to 16x210	14	D-53671
Drill 4 to 16, Bull 140, 250, Cold 20x140, 20x250, Scailing 40x250	17	D-53609
Drill 5 to 14, Bull 140, 250, Cold 20x140, 20x250, Scailing 40x250	17	D-53073
Drill 5 to 14, Bull 140, 250, Cold 20x140, 20x250, Scailing 40x250	17	D-53621
Drill 5 to 14, Bull 140, 250, Cold 20x140, 20x250, Scailing 40x250	17	D-54863

T.C.T drill bit & chisel set for SDS-PLUS hammers/ Aluminum case



Size mm	Sales Pkg Qty	Part No.
Drill 5.5 to 20, Bull 250, Cold 20x250	10	D-21191
Drill 6 to 20, Bull 250, Cold 20x250	10	D-19174
Drill 5 to 16, Bull 250, Cold 20x250	13	D-20111
Drill 5 to 16, Bull 250, Cold 20x250	13	D-21185
Drill 5 to 14, Bull 140, 250, Cold 20x250, 20x140, Scailing 40x250	17	D-19180
Drill 5 to 14, Bull 140, 250, Cold 20x250, 20x140, Scailing 40x250	17	D-21200

T.C.T drill bit & chisel set for SDS-PLUS hammers/ Aluminum case in Makita blue



Size mm	Sales Pkg Qty	Part No.
Drill 5 to 16, Bull 250, Cold 20x250	10	D-71990
Drill 5.5 to 16, Bull 250, Cold 20x250	10	D-70904
Drill 5.5 to 20, Bull 250, Cold 20x250	10	D-42391
Drill 6 to 20, Bull 250, Cold 20x250	10	D-42385
Drill 5 to 16, Bull 250, Cold 20x250	13	D-42400
Drill 5 to 16, Bull 250, Cold 20x250	13	D-42416
Drill 5 to 16, Bull 250, Cold 20x250	14	D-71174
Drill 5 to 14, Bull 140, 250, Cold 20x250, 20x140, Scailing 40x250	17	D-42438
Drill 5 to 14, Bull 140, 250, Cold 20x250, 20x140, Scailing 40x250	17	D-42444
Drill 4 to 14.3, Bull 140, 250, Cold 20x250, 20x140, Scailing 40x250	17	D-61008
Drill 5 to 12, Bull 140, 250, Cold 20x140, 20x250, Scailing 40x250	18	D-71180
Drill 5 to 14, Bull 140, 250, Cold 20x140, 20x250, Scailing 40x250	18	D-71196

T.C.T drill bit & chisel set for SDS-PLUS hammers/ Centering tip/ Aluminum case in Makita blue



Size mm	Sales Pkg Qty	Part No.
Drill 5 to 14, Bull 140, 250, Cold 20x140, 20x250, Scailing 40x250	17	E-03115

T.C.T drill bit & chisel set for SDS-PLUS hammers/ 4 cutter/ Aluminum case in Makita blue



Size mm	Sales Pkg Qty	Part No.
Drill 6 to 16, Bull 250, Cold 20x250	13	B-64674
Drill 6 to 14, Bull 140, 250, Cold 20x140, 20x250, Scaling 40x250	17	B-64680

T.C.T drill bit & chisel set for SDS-PLUS hammers/ MAKPAC



Size mm	Sales Pkg Qty	Part No.
Drill 5 to 14, Bull 140, 250, Cold 20x250, 20x140, Scaling 40x250	17	B-52059
Drill 5 to 14, Bull 140, 250, Cold 20x250, 20x140, Scaling 40x250	17	B-53877

T.C.T drill bit & chisel set for SDS-MAX hammers



Size mm	Sales Pkg Qty	Part No.
Drill 16, 20, Bull 400, Cold 25x400	4	D-47151

T.C.T drill bit & chisel set for SDS-MAX hammers/ Aluminum case



Size mm	Sales Pkg Qty	Part No.
Drill 18 to 25, Bull 400, Cold 25x400, Scaling 50x400	7	D-40571

T.C.T drill bit & chisel set for SDS-MAX hammers/ Aluminum case in Makita blue



Size mm	Sales Pkg Qty	Part No.
Drill 18 to 25, Bull 400, Cold 25x400, Scaling 50x400	7	D-42494

